

Job Name/Location:

Tag #:

Date: _____ For: File Resubmit
 PO No.: _____ Approval Other _____
 Architect: _____ GC: _____
 Engr: _____ Mech: _____
 Rep: _____
 (Company) _____ (Project Manager) _____



LS180HEV1
 Mega 220V Single Zone Inverter
 Outdoor Unit (ODU) - LSU180HEV1 Indoor Unit (IDU) - LSN180HEV1



Performance:

Cooling:

Capacity (Min/Rated/Max) (Btu/h)	3,685~17,000~18,493
SEER	18.0
EER	10.97

SEER - Seasonal Energy Efficiency Ratio EER - Energy Efficiency Ratio

Heating:

Capacity (Min/Rated/Max) (Btu/h)	3,685~19,000~22,997
HSPF	9.0

HSPF - Heating Seasonal Performance Factor

Cooling Nominal Test Conditions: Indoor: 80°F DB/67°F WB Outdoor: 95°F DB/75°F WB
 Heating Nominal Test Conditions: Indoor: 70°F DB/60°F WB Outdoor: 47°F DB/43°F WB

Electrical:

Power Supply (V ¹ /Hz/Ø)	208-230/60/1
-------------------------------------	--------------

Outdoor Unit:

MOP (A)	20
MCA (A)	12
Cooling Rated Amps (A)	9.61
Heating Rated Amps (A)	9.41
Compressor (A)	8.81
Fan Motor (A)	0.4

MOP - Maximum Overcurrent Protection MCA - Minimum Circuit Ampacity

Total Power Input:

Cooling Power Input (kW)	1.55
Heating Power Input (kW)	1.59

Piping:

Liquid Line (in, OD)	1/4
Vapor Line (in, OD)	1/2
Additional Refrigerant (oz/ft)	0.33
Max Pipe Length (Min/Max) (ft) ²	9.8/65.6
Piping Length (no add'l refrigerant, ft)	24.6
Max Elevation (ft)	32.8

Controls Features:

- 24-Hour on/off timer
- 2-Way (up/down) auto swing
- Auto changeover
- Auto restart
- Condensate sensor connection
- Energy saving
- Inverter (variable speed compressor)
- Jet cool/Jet heat
- Self-cleaning indoor coil
- Sleep mode
- Ultra quiet operation

Operating Range:

Outdoor Unit:

Cooling (°F DB)	14-118
Heating (°F WB)	14-65

Indoor Unit:

Cooling (°F WB)	53-75
Heating (°F DB)	60-86

Unit Data:

Refrigerant Type	R410A
Refrigerant Control	EEV
Refrigerant Charge (lbs)	2.34
ODU Sound Pressure (±3 dB(A)) ³	51
IDU Sound Pressure ±3 (H/M/L/Sleep) dB(A) ³	42/40/35/29
ODU Net Unit Weight (lbs)	76
ODU Shipping Weight (lbs)	81
IDU Net Unit Weight (lbs)	28
IDU Shipping Weight (lbs)	33
Heat Exchanger Coating	GoldFin™

Fan:

ODU Type	Propeller
IDU Type	Cross Flow
Fan Speeds (Fan/Cooling/Heating)	4/4/4
Quantity (ODU + IDU)	1 + 1
Motor/Drive	Brushless Digitally Controlled/Direct
ODU Max Air Flow Rate (CFM)	1,342
IDU Air Flow Rate H/M/L (CFM)	512/441/353
Dehumidification (pts/hr)	3.39

Notes:

1. Acceptable operating voltage: 187V-253V.
2. Piping lengths are equivalent.
3. Sound Pressure levels are tested in an anechoic chamber under ISO Standard 1996.
4. All power/communication cable to be minimum 18 AWG, 4-conductor, stranded, shielded and must comply with applicable local and national code.
5. See Engineering Manual for sensible and latent capacities.
6. Power wiring cable size must comply with the applicable local and national code.
7. The indoor unit comes with a dry helium charge.
8. This data is rated 0 ft above sea level, with 24.6 ft of refrigerant line and a 0 ft level difference between outdoor and indoor units.
9. Must follow installation instructions in the applicable LG installation manual.



Outdoor Unit (ODU) - LSU180HEV1
 Mega 220V Single Zone Inverter



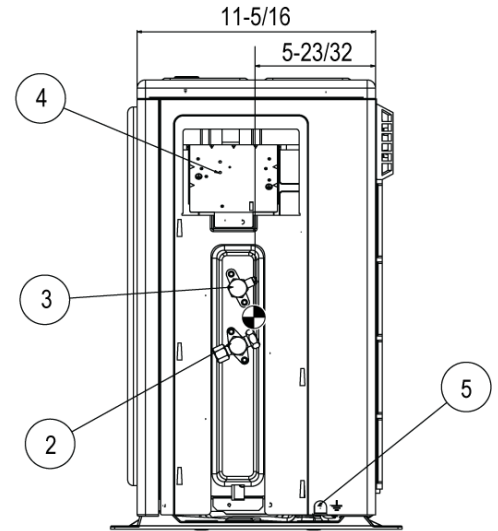
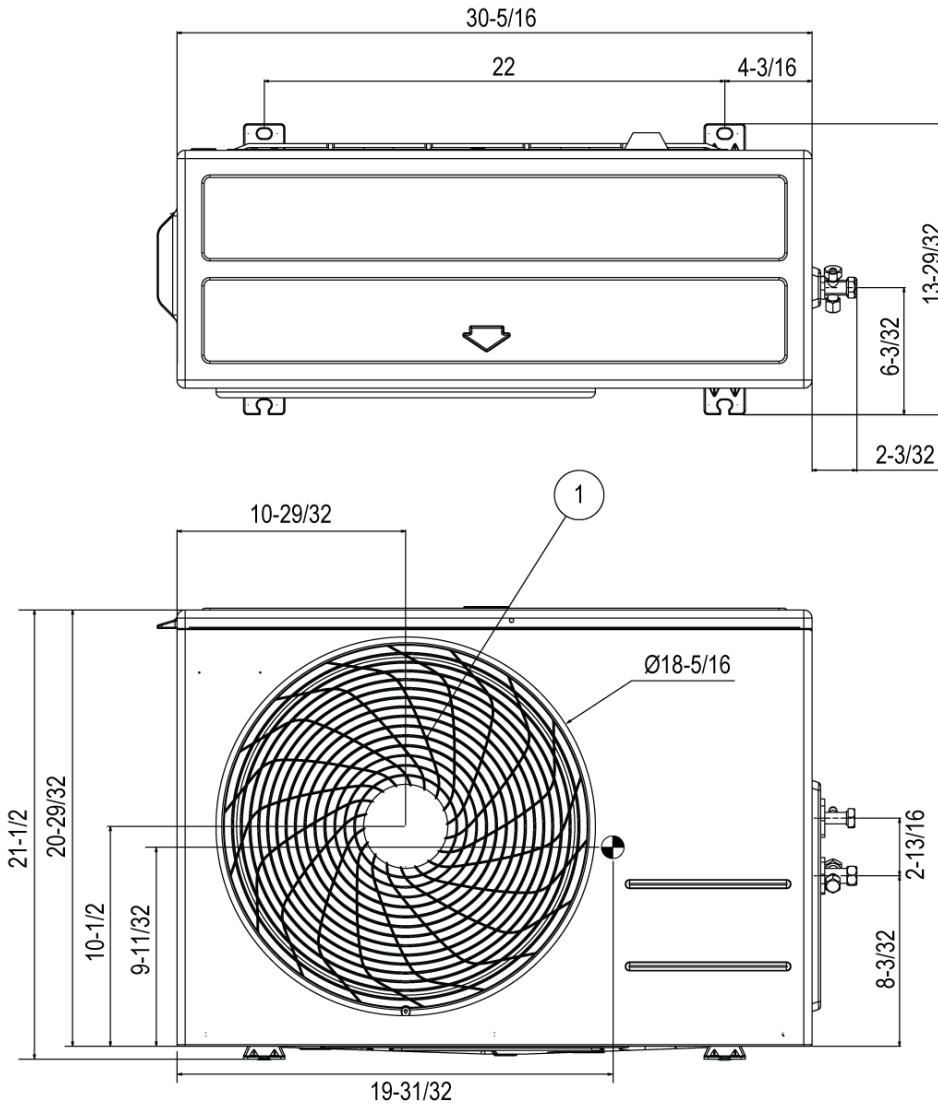
LG

Life's Good

Tag #:

Date:

PO No.:



Center of gravity

Unit : inch

Item No.	Part Name	Remark
1	Air Discharge Grille	
2	Gas Pipe Connection Port	
3	Liquid Pipe Connection Port	
4	Control Box	
5	Earth Screw	

Indoor Unit (IDU) - LSN180HEV1
 Mega 220V Single Zone Inverter



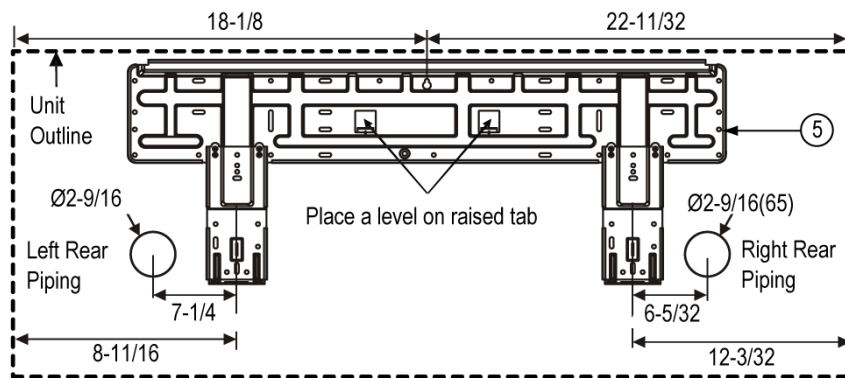
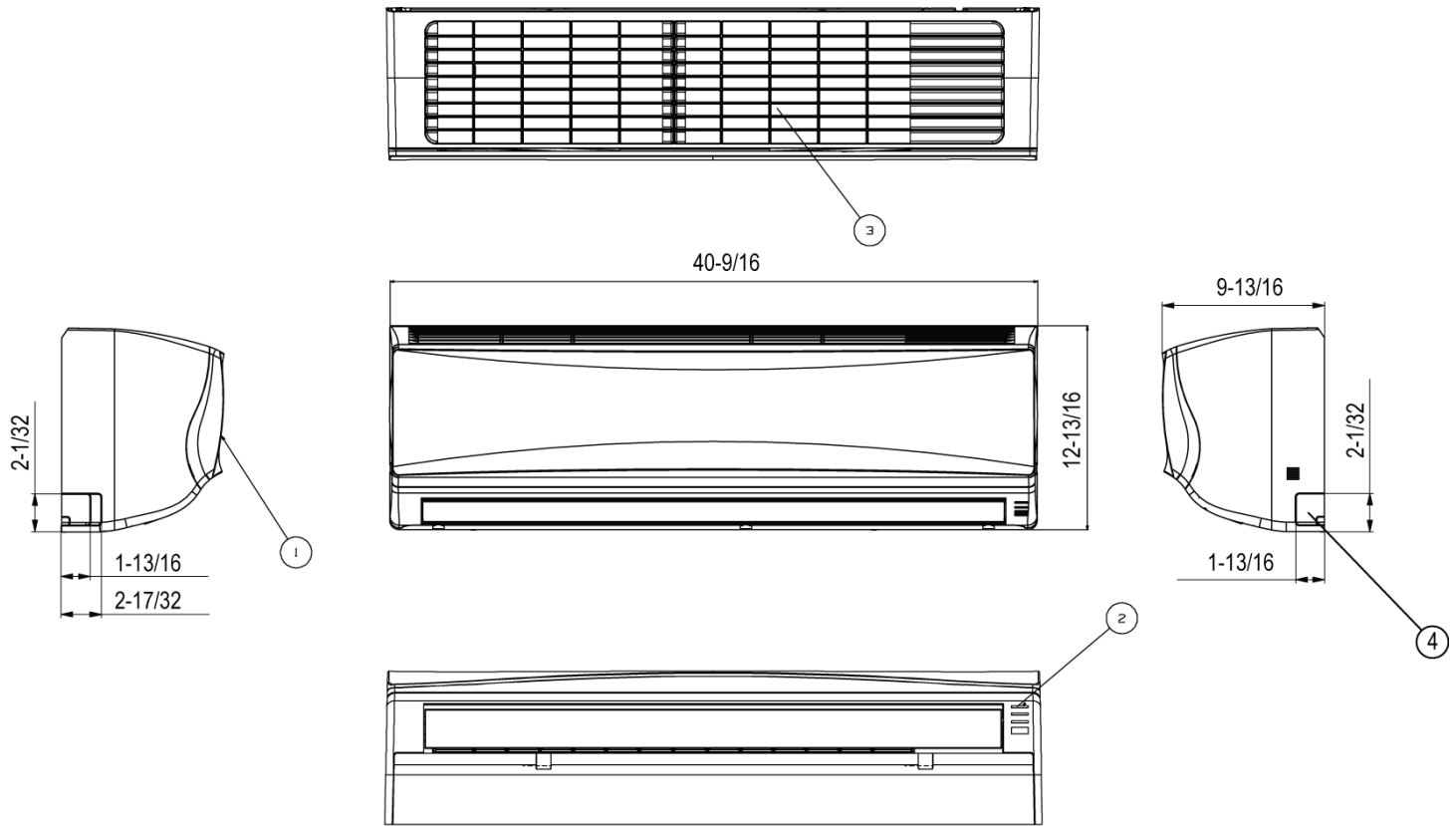
LG

Life's Good

Tag #:

Date:

PO No.:



Unit : inch

Item No.	Part Name	Remark
1	Front Panel	
2	Display & Signal Receiver	
3	Air Suction Grille	
4	Knockout hole	For pipe and cable
5	Installation Plate	