



Electric Tankless Water Heater

MODEL	KW	VOLTS	BREAKER	REQUIRED WIRE	WATER CONNECTIONS
ECO 6	6	208	40 A	8 AWG	1/2" NPT
ECO 8	8	240	40 A	8 AWG	1/2" NPT
ECO 11	13	240	60 A	6 AWG	1/2" CF



Tested and certified by the Water Quality Association against NSF/ANSI 372 for lead free compliance.

Temperature Rise

The ECO 6, ECO 8 and ECO 11 are some of the smaller EcoSmart tankless water heaters so they are the perfect fit to deliver hot water wherever it is needed. These models are equipped with patented, self-modulating technology so they will only consume the energy necessary for the specified demand. The ECO 6, ECO 8 and ECO 11 also come standard with digital temperature control in increments of 1°F. Below is a chart showing the flow rate capacity of each model, measured in gallons per minute, depending on inlet water temperature and a set output temperature of 105° F.

Applications

Standard Hand Sink	0.5 GPM
Water-Saver Showerhead	1.5 GPM
Standard Showerhead	2.0 GPM
Kitchen Sink	2.0 GPM

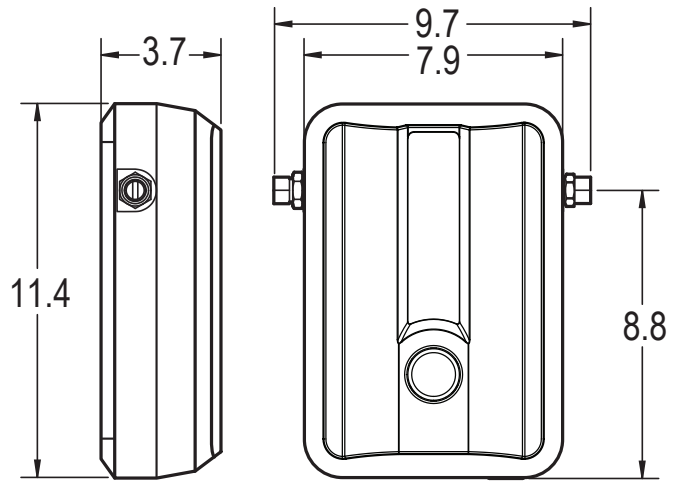
Flow Rate Capacity Chart (GPM)

MODEL	37°F	42°F	47°F	52°F	57°F	62°F	67°F	72°F	77°F
ECO 6	0.60	0.65	0.71	0.77	0.85	0.95	1.08	1.24	1.46
ECO 8	0.80	0.87	0.94	1.03	1.14	1.27	1.44	1.66	1.95
ECO 11	1.31	1.41	1.53	1.68	1.85	2.06	2.34	2.69	3.17

Flow rate shown in GPM based on outlet temperature of 105°F. Inlet temperature varies by region and seasonal changes.

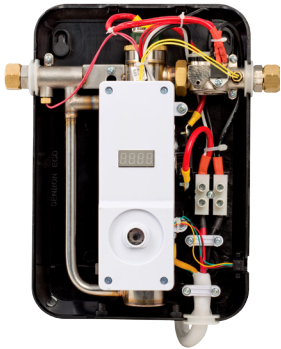
Product Attributes

- Instant, consistent and endless hot water
- Compact, resistant and stylish with digital temperature control in increments of 1°F ranging from 80°F to 140°F
- Dimensions: 11.5" x 8" x 3.75"
- 99.8% energy efficient
- Copper heating elements with brass top increase durability and are threaded for easy replacement
- Simple Installation: 3-ft. electric cable included and a 1/2" NPT adaptor water connector for the ECO 6 & ECO 8 and a 1/2" CF water connector for the ECO 11
- Professional installation required for warranty
- Lifetime Warranty when installed by licensed professional for residential use



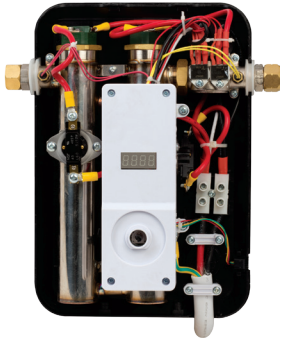
Product dimensions shown in inches.

Specifications



ECO 6 | ECO 8

Use one (1) 6kW at 208V element.



ECO 11

Uses two (2) 5.5kW at 220V elements.

Operating Pressure

Minimum	Maximum
25 PSI	150 PSI

Note: Flow Activated at 0.25 GPM

SPECIFICATION	ECO 6	ECO 8	ECO 11
kW	6	8	13
Voltage	208	240	240
Phase	Single	Single	Single
Element	(1) 6kW @ 208V	(1) 6kW @ 208V	(2) 5.5kW @ 220V
Amperage Draw	33 A	33 A	54 A
Required Breaker	40 A	40 A	60 A
Required Wire	8 AWG	8 AWG	6 AWG
Weight	5.25 lb	5.30 lb	6.65 lb
Heat Exchanger	Copper	Copper	Copper
Protection	Thermal Auto	Thermal Auto	Thermal Auto
Energy Efficiency	99.8%	99.8%	99.8%
Certification	ETL Listed to UL-499 and CAN/CSA-C22.2 No. 64		
Warranty	Limited Lifetime		

EcoSmart Submittal

Engineer/Architect: _____

Job Name/Customer: _____

Location: _____

Contractor: _____

Representative: _____

HEATER SPECIFICATIONS **Quantity** **kW** **Voltage** **AMPS**

Model: ECO _____



400 Captain Neville Drive
 Waterbury, CT 06705
 Toll Free: (877) 474-6473
 support@ecosmartus.com
EcoSmartUS.com